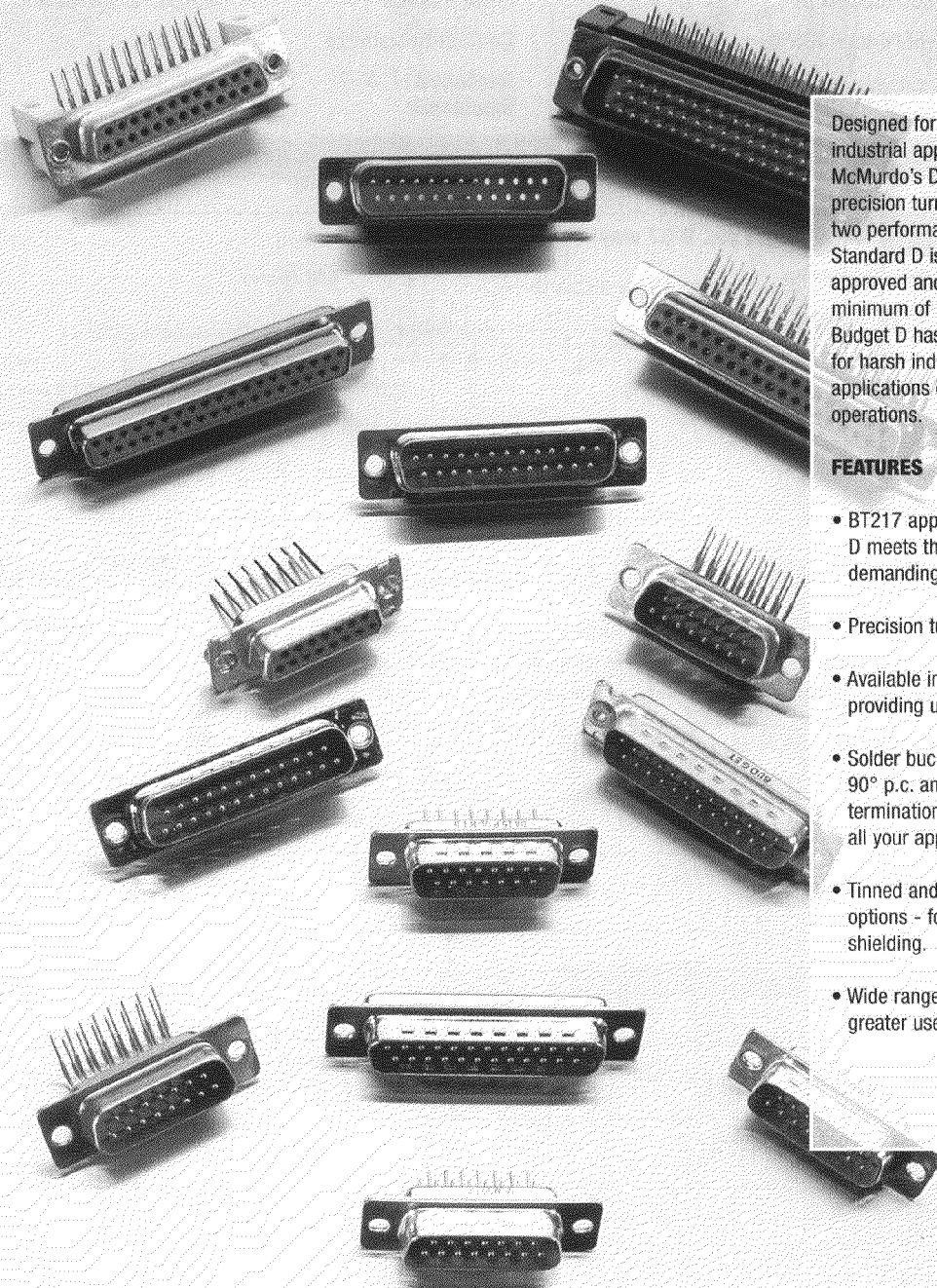
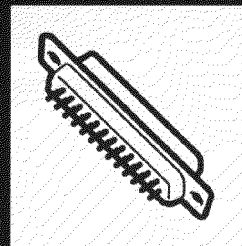


STANDARD/BUDGET D

High Performance D Sub-miniature



Designed for demanding industrial applications, McMurdo's D connectors offer precision turned contacts in two performance levels: Standard D is BT217 approved and offers a minimum of 500 operations. Budget D has been developed for harsh industrial applications offering 300 operations.

FEATURES

- BT217 approved - Standard D meets the most demanding requirements.
- Precision turned contacts.
- Available in five shell sizes, providing up to 50 contacts.
- Solder bucket, straight p.c., 90° p.c. and wire wrapping termination styles - to suit all your applications.
- Tinned and dimpled shell options - for EMI/RFI shielding.
- Wide range of accessories - greater user flexibility.

McMurdo

TECHNICAL DATA

Materials

Shell	Steel plated zinc/yellow passivate or tin over nickel
Insulator	Thermoplastic rated UL94V-0
Contact	Copper alloy plated hard acid gold

Mechanical

Mechanical Operations	500 (Standard D), 300 (Budget D)
Operating Temperature	-55°C to + 105°C

Electrical

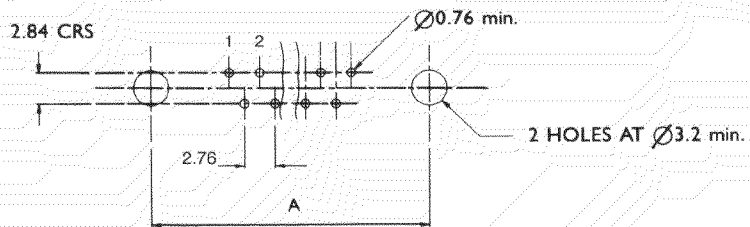
Current	
Individual contact (in isolation)	at 70°C Tamb. 6.5A
All contacts (simultaneously)	at 70°C Tamb. 3.3A
Working Voltage	500Vd.c. or a.c. peak
Proof Voltage	1500Vd.c. or a.c. peak
Contact Resistance	10mΩ max.
Insulation Resistance	1000MΩ min.

PCB Layouts

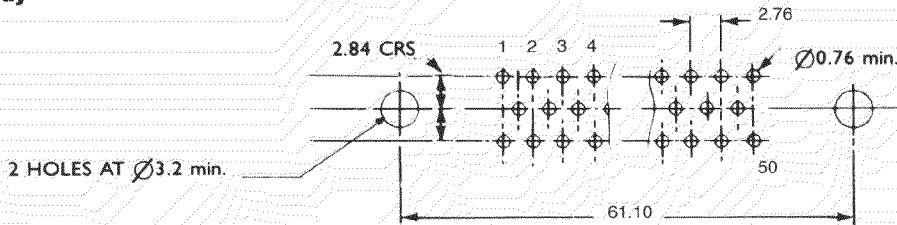
(Plug viewed from above, socket viewed from below)

Ways	A crs
9	25.00
15	33.32
25	47.04
37	63.50

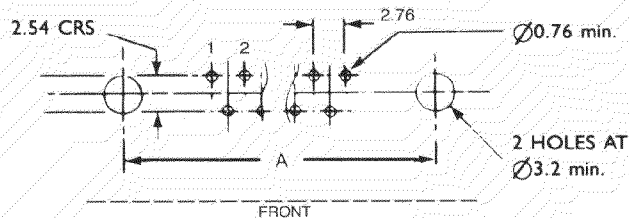
Straight p.c. 9-37 way



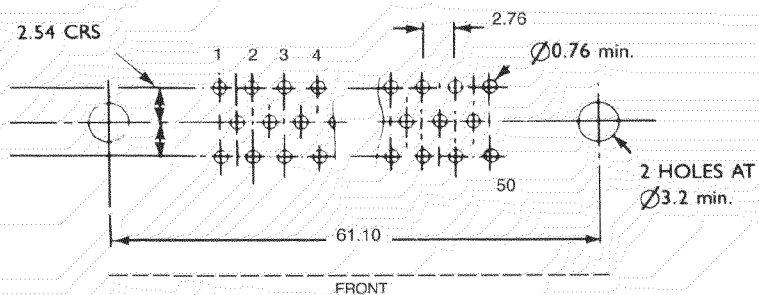
50 way



90° p.c. 9-37 way



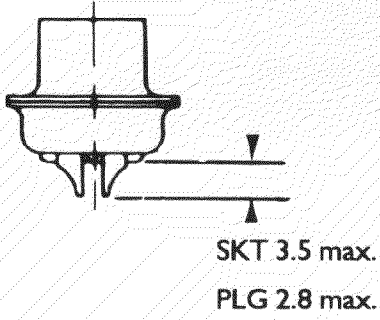
50 way



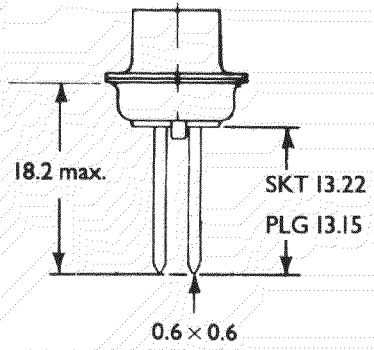
Outline Dimensions

For additional dimensions and panel mounting detail, see data OD/D/03/97

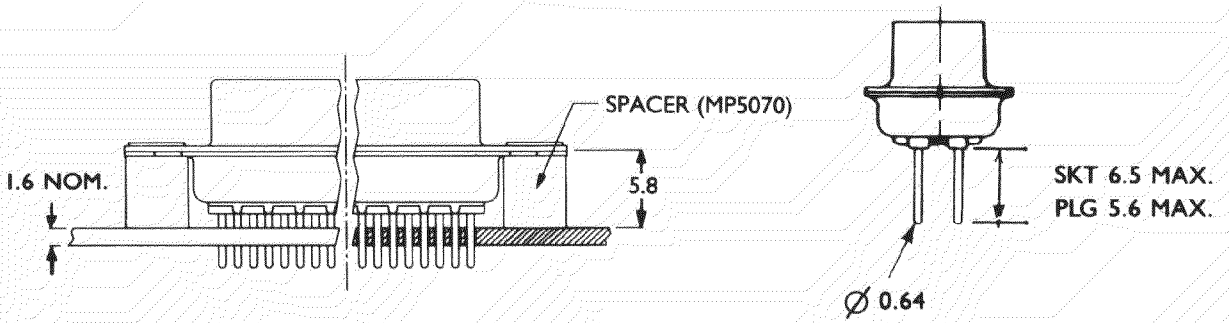
Solder Bucket (20 AWG)



Wire Wrapping

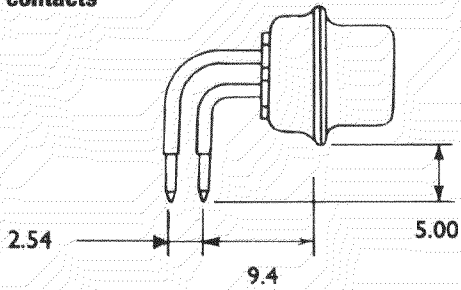


Straight p.c.

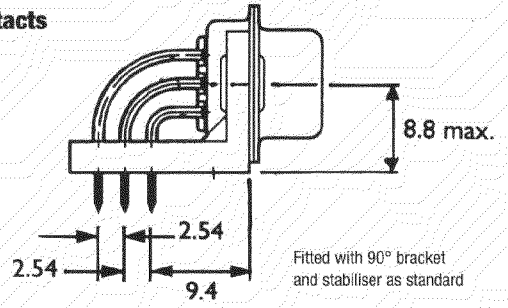


90° p.c.

9-37 contacts



50 contacts



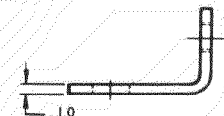
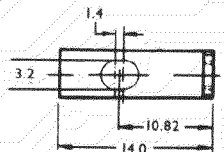
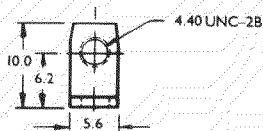
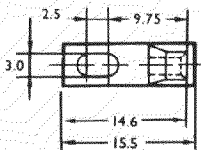
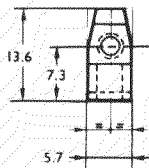
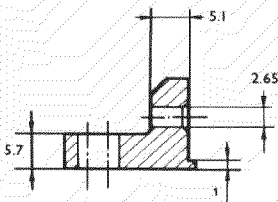
Brackets

Plastic - with self tapping screws
- with 4-40 U.N.C. insert

2 Row **MP501-2**
2 Row **MP625**

Metal - plain bracket
- with 4-40 U.N.C. thread

2 Row **MMBI**
2 Row **MMBI-40**



ORDERING INFORMATION

SERIES _____ **D** **B** **F** **25** **P** **N** **B** **TD**
SHELL SIZE _____
MOUNTING OPTIONS _____
CONTACT ARRANGEMENT _____
CONTACT TYPE _____
TERMINATION TYPE _____
PERFORMANCE CODE _____
SHELL FINISH _____

Series

D - Standard/Budget D

Shell size

E, A, B, C and D

Mounting options

- No designator - Standard fixing holes
- B - 90° brackets and stabiliser rivetted (fitted on 50 way 90° p.c. as standard)
- F - Float mount for rear panel mounting
- R - Reverse float mounting
- G - MP501 rivetted
- H - 4-40 UNC threaded inserts fitted
- K - MP625 and screwlock fitted
- L - MP501-2 screw mounted
- N - 90° brackets and stabiliser with screwlock fitted
- S - Screwlock fitted

Contact arrangement

9, 15, 25, 37 and 50

Contact type

- P - Plug
- S - Socket

Termination type

- No designator - Solder bucket
- N - 90° p.c.
- OL - Straight p.c.
- W - Wire wrapping

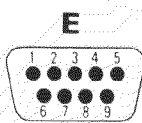
Performance code

- No designator - Standard D
- B - Budget D

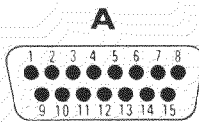
Shell finish

- No designator - Zinc/yellow passivate
- T - Tinned
- TD - Tinned and dimpled (plug only)

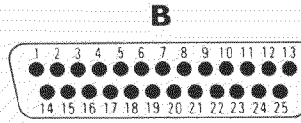
Contact Arrangement (Viewed from mating face of male connector)



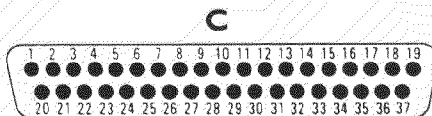
9 contacts



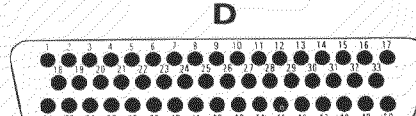
15 contacts



25 contacts



37 contacts



50 contacts

