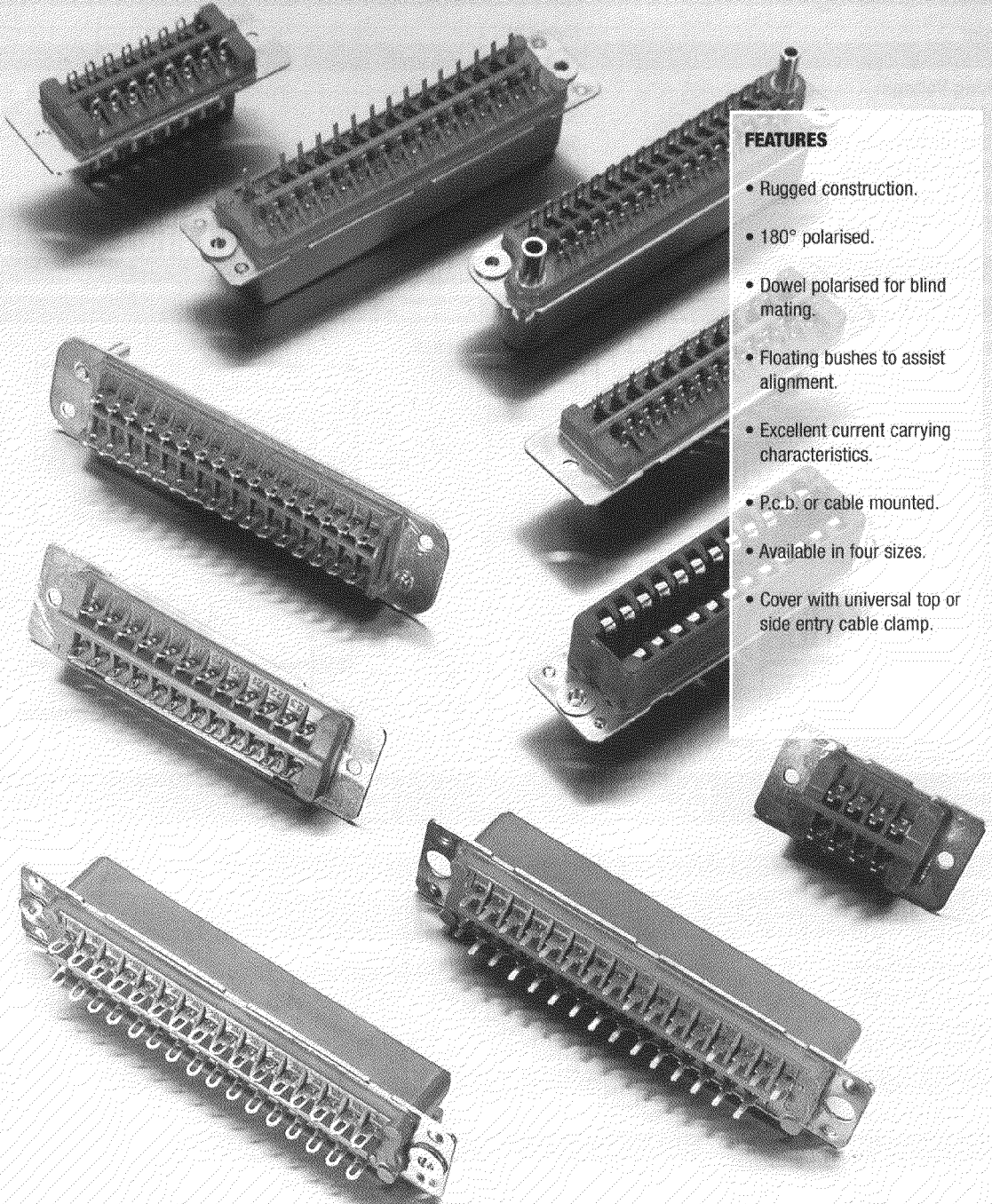
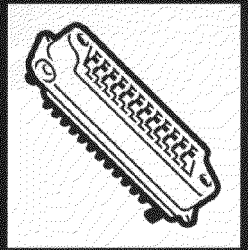


# RED RANGE

## Industrial Rack and Panel Connectors



- FEATURES**
- Rugged construction.
  - 180° polarised.
  - Dowel polarised for blind mating.
  - Floating bushes to assist alignment.
  - Excellent current carrying characteristics.
  - P.c.b. or cable mounted.
  - Available in four sizes.
  - Cover with universal top or side entry cable clamp.

**McMurdo**

# TECHNICAL DATA

## Materials

Insulator	Nylon PF or Diallyl-phthalate (D.A.P.)
Contact	Copper alloy plated hard acid gold
Mounting plates	Stainless Steel
Latching screws & bushes	Mild steel bright nickel plate
Dowels	Brass nickel plate
Covers	Aluminium alloy

## Mechanical

	Nylon PF	D.A.P.
Mechanical operations	500	500
Insertion and withdrawal forces (contact pair)	2.3N max. /0.8 min.	2.3N max. /0.8 min.
Climatic category	40/100/21	55/125/56

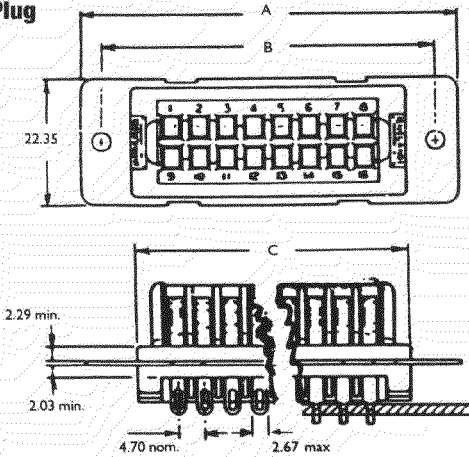
## Electrical

<b>Current</b> All contacts simultaneously	Nylon PF at 80°C Tamb. 5A max.	D.A.P. at 100°C Tamb. 5A max.
<b>Working Voltage</b>	800Vd.c. or a.c. peak	800Vd.c. or a.c. peak
<b>Proof Voltage</b>	3.5k Vd.c. or a.c. peak	3.5kVd.c. or a.c. peak
<b>Contact Resistance (initially)</b> (after conditioning)	5mΩ max. 10mΩ max.	5mΩ max. 10mΩ max.
<b>Insulation Resistance (initially)</b> (after conditioning)	10 <sup>9</sup> MΩ min. 10 <sup>9</sup> MΩ min.	10 <sup>9</sup> MΩ min. 10 <sup>9</sup> MΩ min.

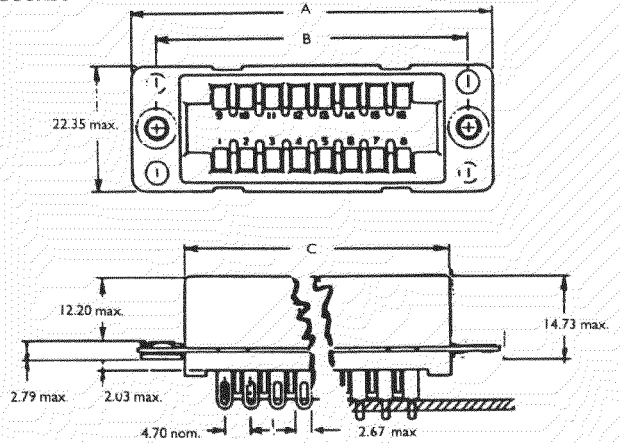
## Outline Dimensions

### Barrier Polarised

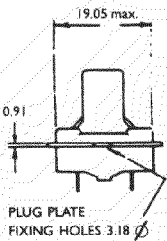
#### Plug



#### Socket

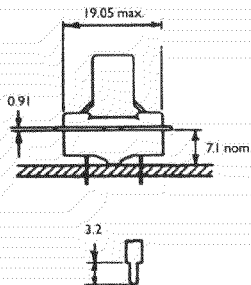


#### Solder Termination

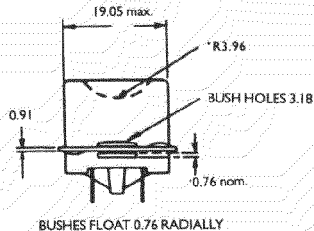


PLUG PLATE  
FIXING HOLES 3.18 ∅

#### p.c. Termination

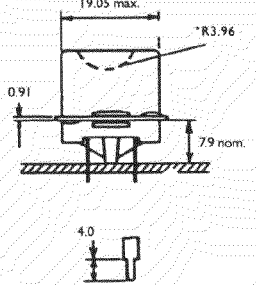


#### Solder Termination



\* NOTE: ENDS ARE RELIEVED ON  
32 WAY SOCKETS ONLY

#### p.c. Termination

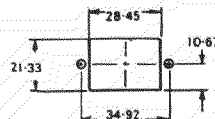


### Plug & Socket Dimensions

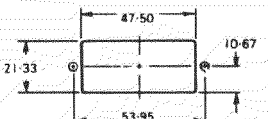
No. of Ways	A max	B crs	C max
8	43.94	34.92	26.42
16	62.99	53.97	45.47
24	82.04	73.02	64.52
32	101.09	92.07	83.57

### Mounting Details

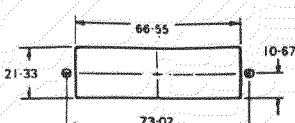
#### 8 WAY



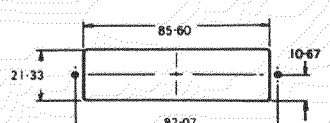
#### 16 WAY



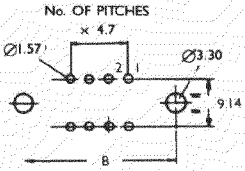
#### 24 WAY



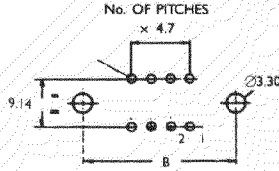
#### 32 WAY



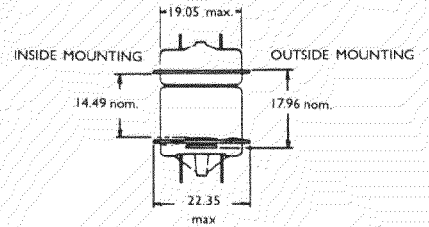
View from rear of plug



View from rear of sockets

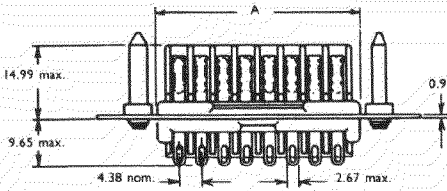


Barrier polarised plug and socket mated

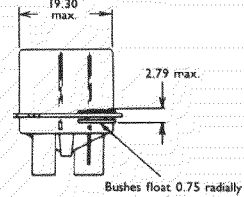
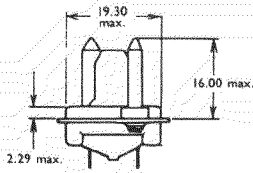
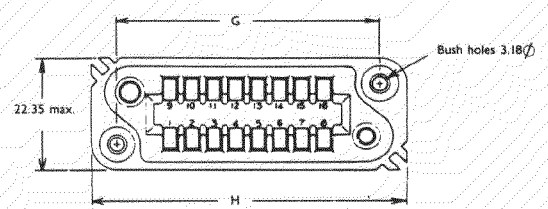
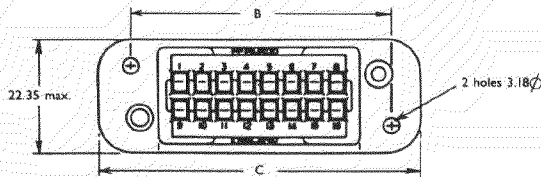
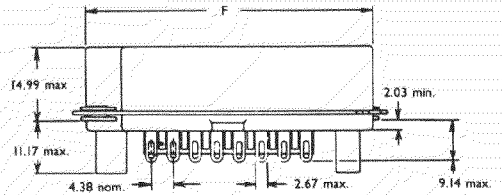


Dowel Polarised

Plug



Socket



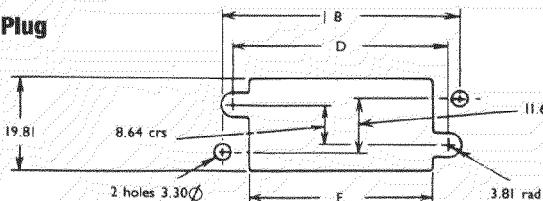
Dimensions

No. of ways	A max.	B crs.	C max.	D crs.	E nom.	F max.	G crs.	H max.	I crs.	J nom.
16 way	39.65	51.41	62.15	46.79	40.64	57.90	51.61	61.98	46.81	44.70
24 way	57.02	68.68	79.45	64.06	57.91	74.17	68.48	79.32	63.58	61.72
32 way	74.50	85.95	96.77	81.33	75.54	91.95	85.95	96.65	81.33	79.48

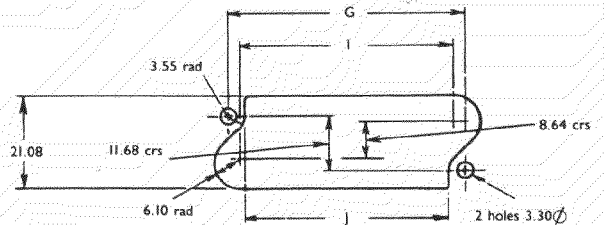
Mounting Details

From wiring side

Plug



Socket

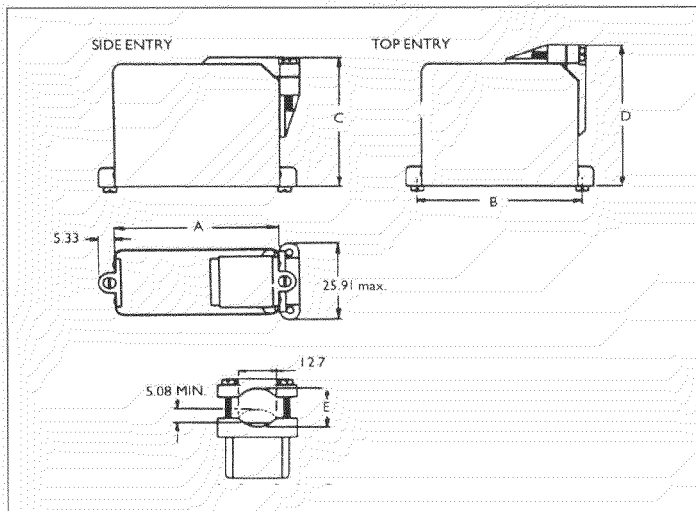


# ORDERING INFORMATION

Description			Order Code		
Style	Gender	No of Ways	Moulding Material		
			Nylon PF	Diallyl-Phthalate	
Barrier Polarised	Plug	8	RP8	DRP108	
		16	RP16	DRP116	
		24	RP24	DRP124	
		32	RP32	DRP132	
	Socket	8	RS8*	DRS108*	
		16	RS16*	DRS116*	
Barrier Polarised P.C.B. Tail	Plug	24	RS24*	DRS124*	
		32	RS32*	DRS132*	
		Socket	8	RS8P-T	DRS108P-T
			16	RS16P-T	DRS116P-T
	24		RS24P-T	DRS124P-T	
	32		RS32P-T	DRS132P-T	
	Dowel Polarised	Plug	16	RPD16	DRPD116
			24	—	DRPD124
			32	—	DRPD132
		Socket	16	RSD16	DRSD116
			24	—	DRSD124
			32	—	DRSD132

\*Sockets are normally supplied with floating bushes to assist alignment when mounted on racks and chassis. For sockets without floating bushes – add **P** to end of order code e.g. Order code RS24P.

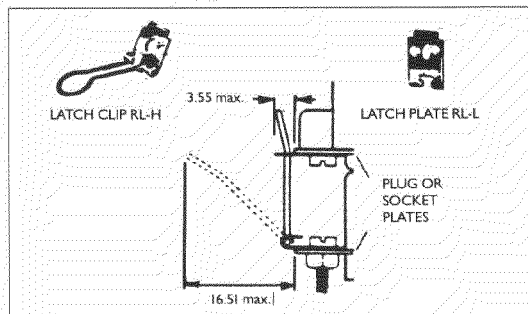
## Accessories



Contact Arrangement	A max.	B crs.	C max.	D max.	E max.
8	32.51	34.92	36.83	40.89	9.40
16	51.56	53.97	43.18	47.24	12.70
24	70.61	73.02	43.18	47.24	15.74
32	89.66	92.07	43.18	47.24	15.74

## Cover Ordering Information

Size	Order Code	Size	Order Code
8	RC108	24	RC124
16	RC116	32	RC132



## COVER with LATCHING CLIPS

Latching clips are supplied separately, 2 off each per assembly. When the latching clips are fitted to sockets it is advisable to use sockets without the floating bushes - add **P** to end of order code.

