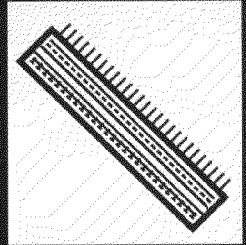


EDGECARD

0.1" (2.54mm) Modular Connector



FEATURES

- Fixed or replaceable contacts.
- Bifurcated contacts.
- Cut to any size from 5 to 85 contacts single or 10 to 170 double sided.
- High temperature moulding.
- Solder for discrete wire, straight p.c. and wire wrapping terminations.
- Plastic and metal end feet.
- Plastic and metal polarising keys.

McMurdo

Rodney Road, Portsmouth, Hampshire, PO4 8SG, UK. Tel: +44 (0) 1705 735361 Fax: +44 (0) 1705 821777

TECHNICAL DATA

Materials

Insulator	Glass filled thermoplastic rated UL94 V-0
Contact	Copper alloy plated hard acid gold
Termination	Tin lead

Mechanical

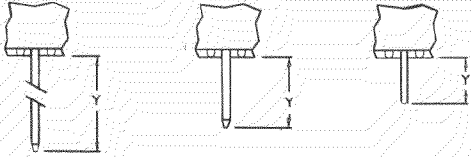
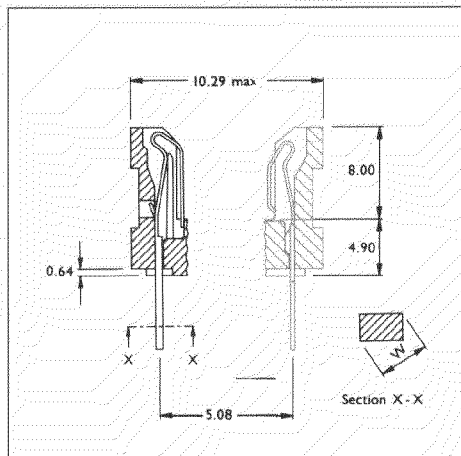
Mechanical operations	100 ('Q' finish) 250 ('N' finish)
Insertion and withdrawal force (per contact pair)	2.2N max. 0.2N min.
Contact holding force	0.15N min.
Operating temperature	-55°C to + 125°C

Electrical

Current		at 25°C Tamb. 4.5 A max. at 85°C Tamb. 3 A max.
Individual contacts (in isolation)		at 25°C Tamb. 4 A max. at 85°C Tamb. 2.5 A max.
All contacts (simultaneously)		
Working Voltage		350V d.c. or a.c. peak.
Proof voltage		1050V d.c. or a.c. peak.
Contact Resistance (initially)		10mΩ max.
Contact Resistance (after conditioning)		15mΩ max.
Insulation Resistance (initially)		1000MΩ min.
Insulation Resistance (after conditioning)		100MΩ min.

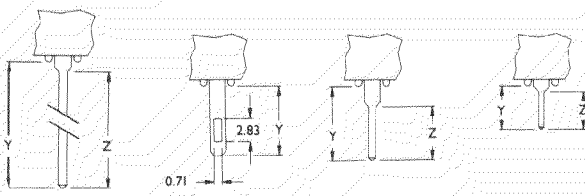
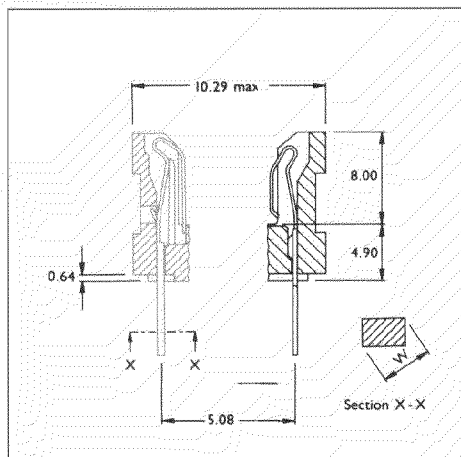
Replaceable Contacts - Bifurcated Inverted Bellows

Termination Style	Wire Wrapping				Straight p.c.		
	Double Sided	Single Sided	Double Sided	Single Sided	Double Sided	Single Sided	Single Sided
Assembly Style	54708	54709	54716	54717	54740	54741	54741
Metal Fixings	54710	54711	54718	54719	54742	54743	
Plastic Fixings							
Y	14.6		5.3		3.9		
W max.	0.95		0.95		0.71		
Section XX	0.63 X 0.63		0.63 X 0.63		0.41 X 0.53		

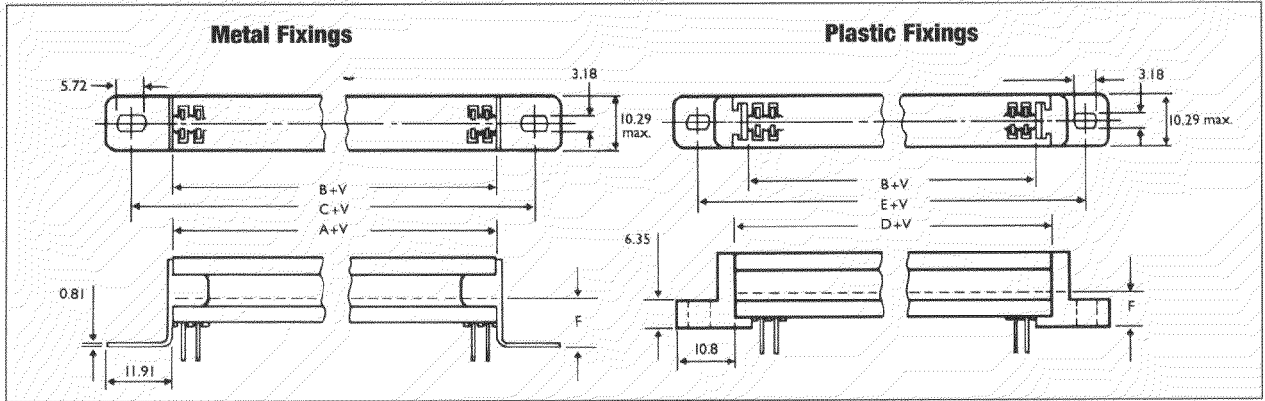



Fixed Contacts - Bifurcated Inverted Bellows

Termination Style	Wire Wrapping		Solder Eyelet		Straight p.c.		
	Double Sided	Single Sided	Double Sided	Single Sided	Double Sided	Single Sided	Single Sided
Assembly Style	54684	54685	54680	54681	54688	54689	54694
Metal Fixings	54686	54687	54682	54683	54690	54691	54696
Plastic Fixings							
Y	14.6		4.4		6.3		3.7
W max.	0.90				0.75		0.65
Section XX	0.38 X 0.76				0.38 X 0.57		0.38 X 0.46
Z	14.1				4.6		3.1

Outline Dimensions



Constant		End fixing	'F'
A = 0.97	Moulding length using metal fixings	31152-104-0	6.35
B = 0.71	Board length (max.)	31152-507-0	7.98
C = 15.19	Fixing centres with metal fixings	31152-508-0	7.98
D = 6.05	Moulding length using plastic fixings	31152-510-0	6.25
E = 18.75	Fixing centres with plastic fixings	31152-511-0	6.25

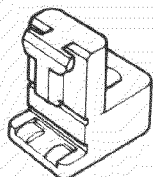
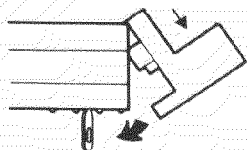
Variable V

No. of ways	mm	No. of ways	mm	No. of ways	mm	No. of ways	mm
5	12,70	26	66,04	47	119,38	68	172,72
6	15,24	27	68,58	48	121,92	69	175,26
7	17,78	28	71,12	49	124,46	70	177,80
8	20,32	29	73,66	50	127,00	71	180,34
9	22,86	30	76,20	51	129,54	72	182,88
10	25,40	31	78,74	52	132,08	73	185,42
11	27,94	32	81,28	53	134,62	74	187,96
12	30,48	33	83,82	54	137,16	75	190,50
13	33,02	34	86,36	55	139,70	76	193,04
14	35,56	35	88,90	56	142,24	77	195,58
15	38,10	36	91,44	57	144,78	78	198,12
16	40,64	37	93,98	58	147,32	79	200,66
17	43,18	38	96,52	59	149,86	80	203,20
18	45,72	39	99,06	60	152,40	81	205,74
19	48,26	40	101,60	61	154,94	82	208,28
20	50,80	41	104,14	62	157,48	83	210,82
21	53,34	42	106,68	63	160,02	84†	213,36
22	55,88	43	109,22	64	162,56	85†	215,90
23	58,42	44	111,76	65	165,10		
24	60,96	45	114,30	66	167,64		
25	63,50	46	116,84	67	170,18		

† Not available with plastic fixings

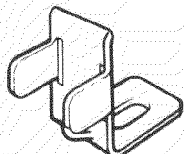
End Fixings (order separately)

Plastic PLASTIC

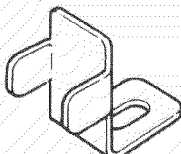


31152-104-0
self-retaining

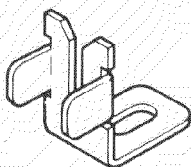
Metal METAL



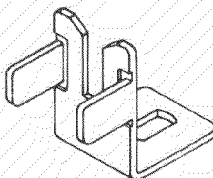
31152-507-0



31152-510-0

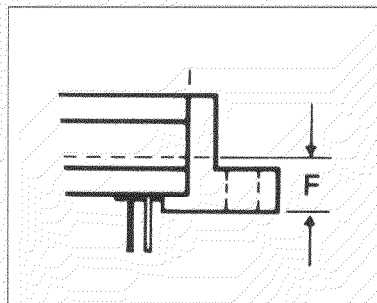


31152-511-0



31152-508-0

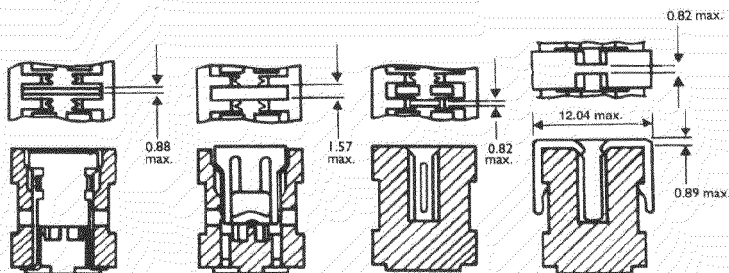
All connectors listed can be mounted with plastic or metal end fixings as detailed below. When using plastic fixings a pair of cavities must be left empty at either end, and the appropriate dimensional constants automatically compensate for the extra connector length.



End Fixing	F
31152-104-0	6.35
31152-507-0	7.98
31152-508-0	7.98
31152-510-0	6.25
31152-511-0	6.25

Polarising/Location Keys

Removable Contact



Contact Replacement

Type LA
Metal

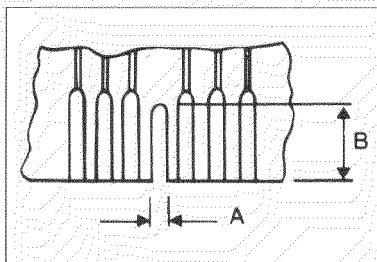
Type DA
Plastic

Inter-contact

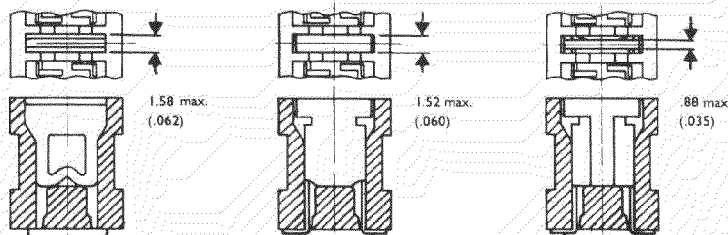
Type EA
Plastic

Type MA
Plastic
Positive Retention

The contact replacement keys are inserted in a pair of opposing cavities i.e. to replace a pair of contacts. They can be ordered separately, or assembled by specifying the type and position required. See ordering information page 6. Key types EA and MA are supplied separately to be fitted by the customer.



Fixed Contact



Type KA
Plastic

Type CA
Metal

Type LA
Metal


Recommended board cut out

Key Type	A min	B
EA	0.89	7.90
DA/KA	1.65	7.90
MA	0.89	9.40
LA	0.92	7.90
CA	1.60	7.90

Other Edge Card Connectors

The following styles are available with minimum order quantities, for details contact our sales office.

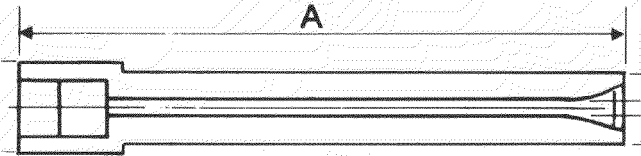
Modular

2.54 mm pitch (0.1 in)	Extender Board Terminations		
3.81 mm pitch (0.15 in)	Available in	5-62 ways 10-124 ways	Single Double
3.96 mm pitch (0.156 in)	Available in	5-62 ways 10-124 ways	Single Double
5.08 mm pitch (0.2 in)	Available in	4-43 ways 8-86 ways	Single Double

Discrete

2.54 mm pitch (0.1 in)	Available in	8, 16, 24, and 32 ways (with staggered terminations)	
2.54 mm pitch (0.1 in)	Available in	5, 26, 35 and 40 ways 15+15, 26+26, 35+35 and 40+40 ways	Single Double
3.81 mm pitch (0.15 in)	Available in	8, 16, 24, 32 and 40 ways 8+8, 16+16, 24+24, 32+32 and 40+40 ways	Single Double
3.96 mm pitch (0.156 in)	Available in	22 ways 22+22 ways	Single Double
5.08 mm pitch (0.2 in)	Available in	8, 24 and 32 ways 8+8, 24+24 and 32+32 ways	Single Double

Card Guides



Discrete

Order Code	31153-301-0	31153-401-0	31153-304-0
Dim A	102.87	160.34	45.21

Modular

Order Code	31153-302-0	31153-501-0
Dim A	108	166

ORDERING INFORMATION

CONTACT TYPE _____ **B** **54716** **Q** **Q** **15-15** **LA** **6**
ASSEMBLY STYLE _____
SIDE 'A' CONTACT FINISH _____
SIDE 'B' CONTACT FINISH _____
No. OF CONTACTS _____
POLARISING KEY TYPE _____
POLARISING KEY POSITION _____

Contact Type

B - Bifurcated

Assembly Style

See pages 2 and 3

Side A/B Contact Finish

Q - Gold (100 operations)
 N - Gold (250 operations)
 H - Tin lead (backing springs)
 Z - Single sided no backing springs

No of Contacts

5 to 85 single sided
 5-5 to 85-85 double sided

Polarising Key Type

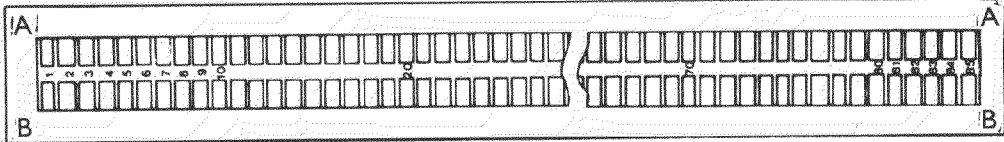
LA, CA, KA etc (see page 4)

Polarising Key Position

In place of contact position 1 to 85
 Intercontact position 1-2 to 84-85

Note: For non standard configurations, please contact the sales office.

Contact identification



View from rear of mould

McMurdo

Rodney Road, Portsmouth, Hampshire, PO4 8SG, UK. Tel: +44 (0) 1705 735361 Fax: +44 (0) 1705 821777

As we constantly strive to improve McMurdo products, all specifications are subject to change without notice.