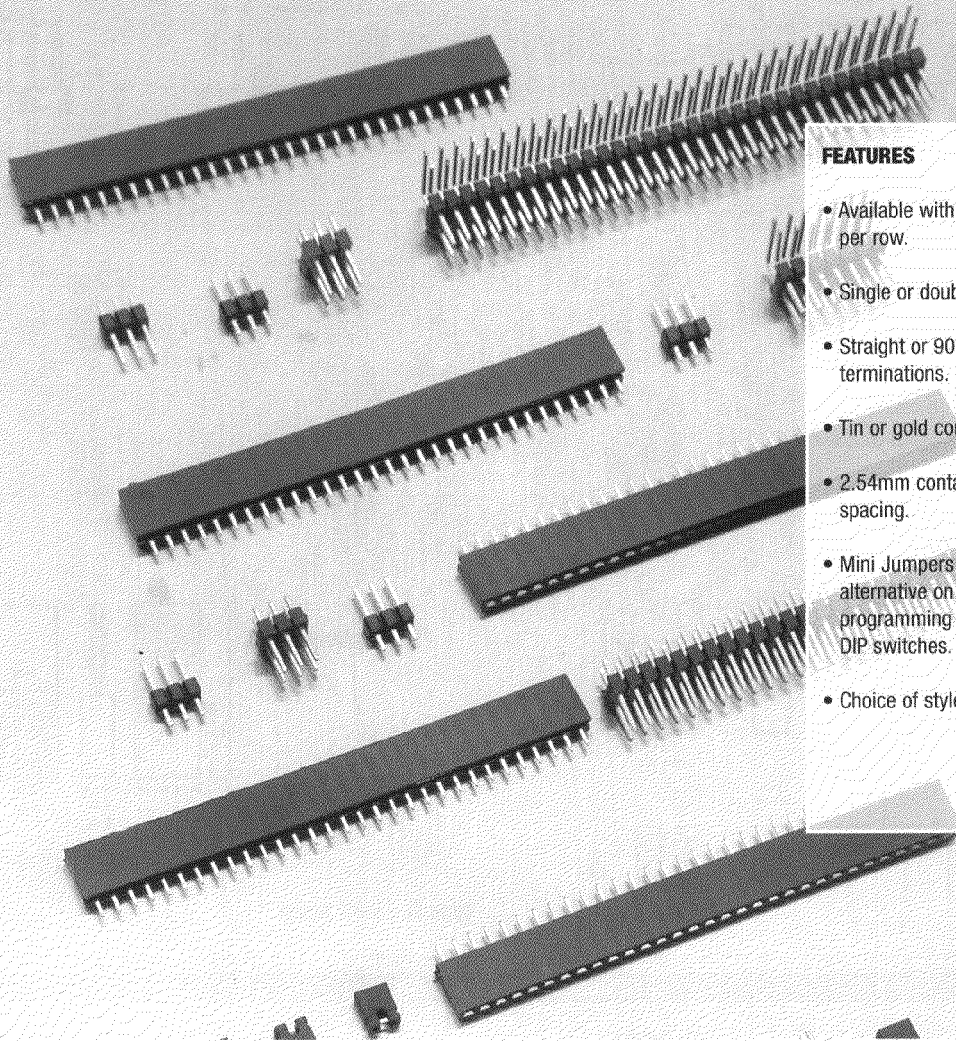
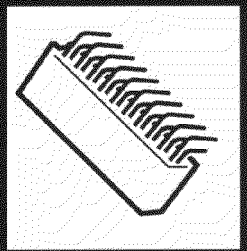


025 CONNECTORS

Pin Headers, Sockets & Mini Jumpers



FEATURES

- Available with 2 to 40 ways per row.
- Single or double row.
- Straight or 90° p.c. terminations.
- Tin or gold contact finish.
- 2.54mm contact and row spacing.
- Mini Jumpers allow alternative on board programming method to DIP switches.
- Choice of styles.

TECHNICAL DATA

Materials

Insulator Glass filled thermoplastic rated UL94V-0
Contact Copper alloy plated hard acid gold or tin

Mechanical

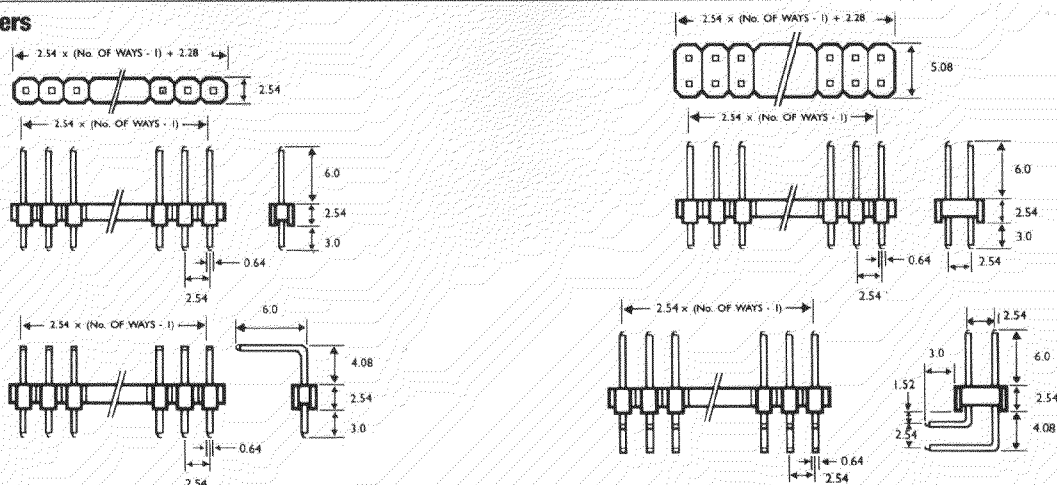
Operating temperature -55°C to + 105°C

Electrical

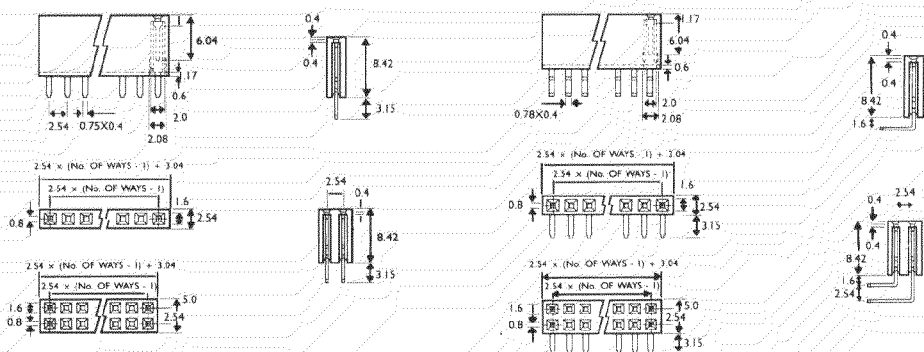
Current at 70°C Tamb. 1A
Working Voltage 350V d.c. or a.c. peak
Contact Resistance 30mΩ max.
Insulation Resistance 1000MΩ min.

Outline Dimensions

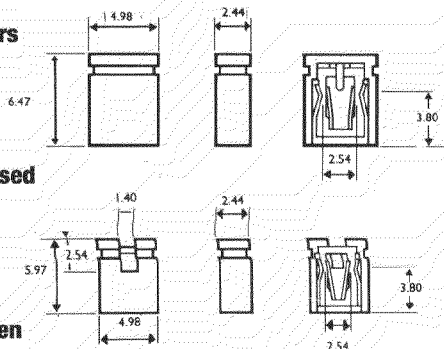
Pin Headers



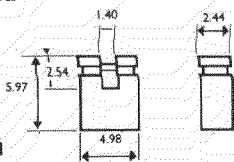
Sockets



Mini Jumpers



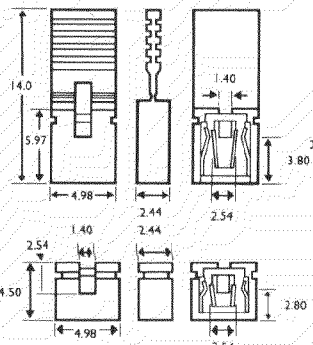
Type A - closed



Type B - open



Type H



Type C - mini open

ORDERING INFORMATION

SERIES _____ MMJ A G
 STYLE _____
 CONTACT FINISH _____

SERIES _____ MPH - R - 1 X 40 - G
 CONTACT STYLE _____
 No. OF ROWS _____
 CONTACT PER ROW _____
 CONTACT FINISH _____

Series

MMJ - Mini Jumpers

Style

- A - Closed
- B - Open
- C - Mini Open
- H - Handle

Contact Finish

- T - Tin
- G - Gold

Series

MPH - Pin Header
 MPS - Sockets

Contact Style

S - Straight p.c.
 R - 90° p.c.

No. Of Rows

- 1 - Single
- 2 - Double

Contacts Per Row

2 to 40

Contact Finish

- T - Tin
- G - Gold